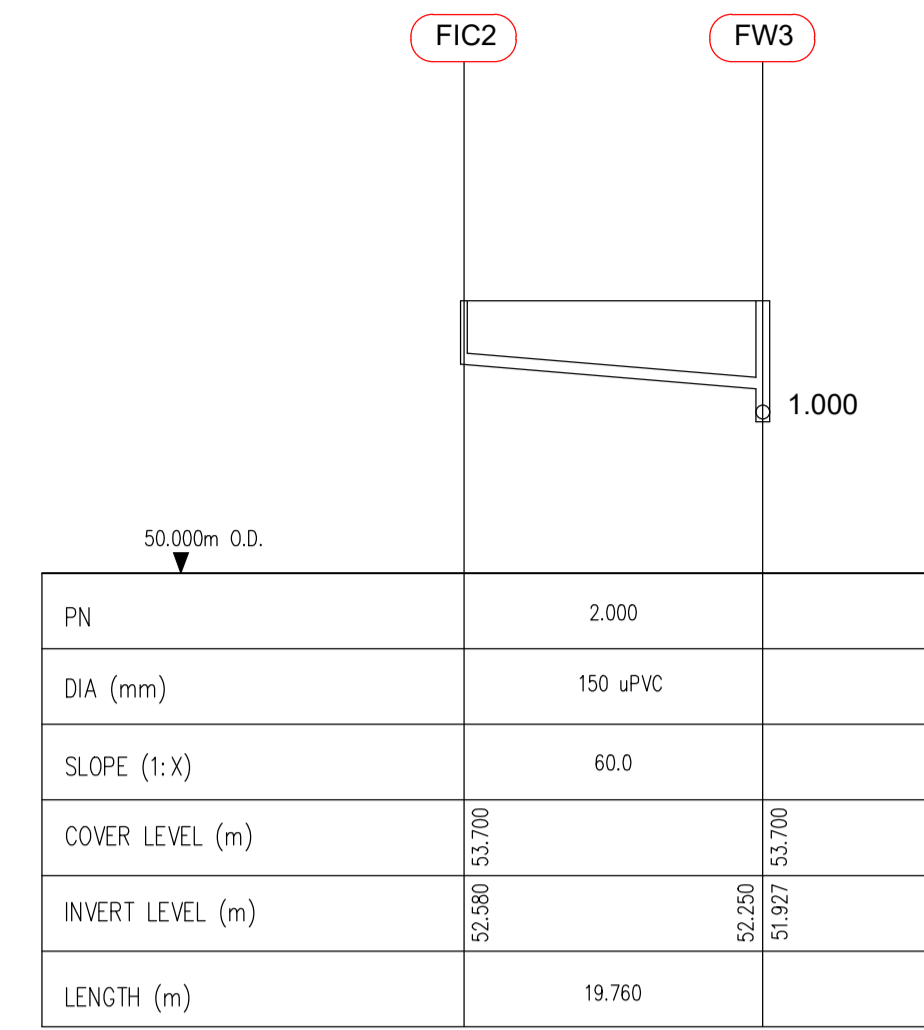
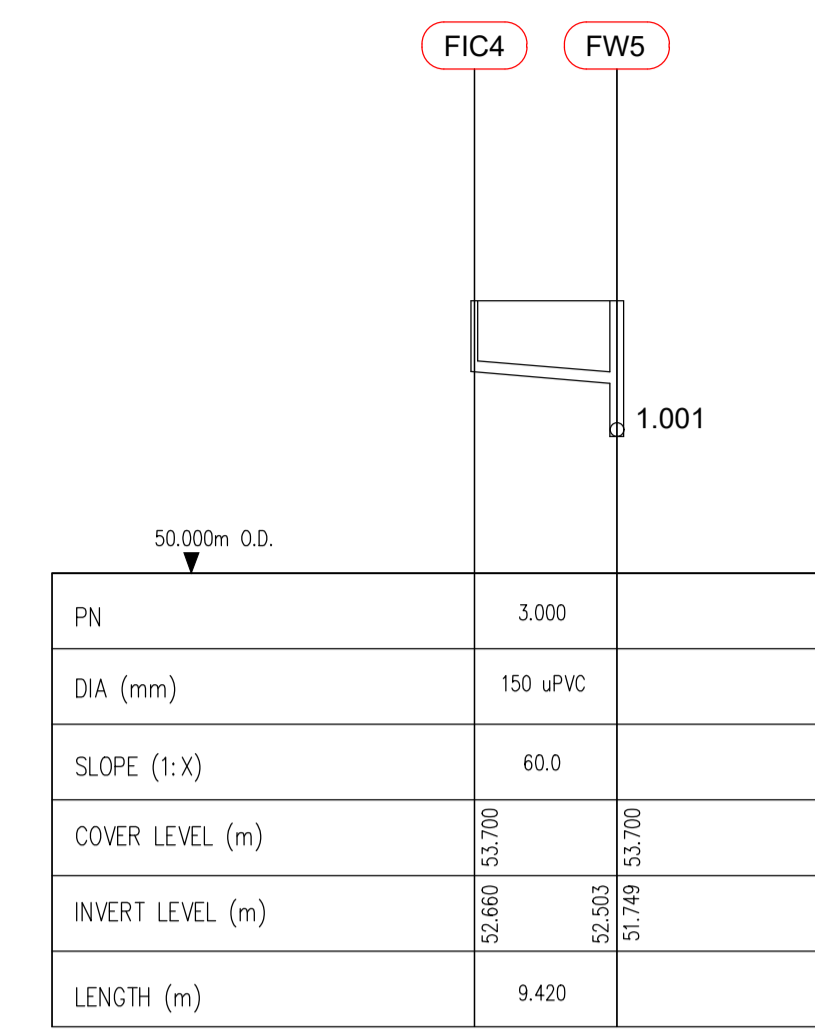


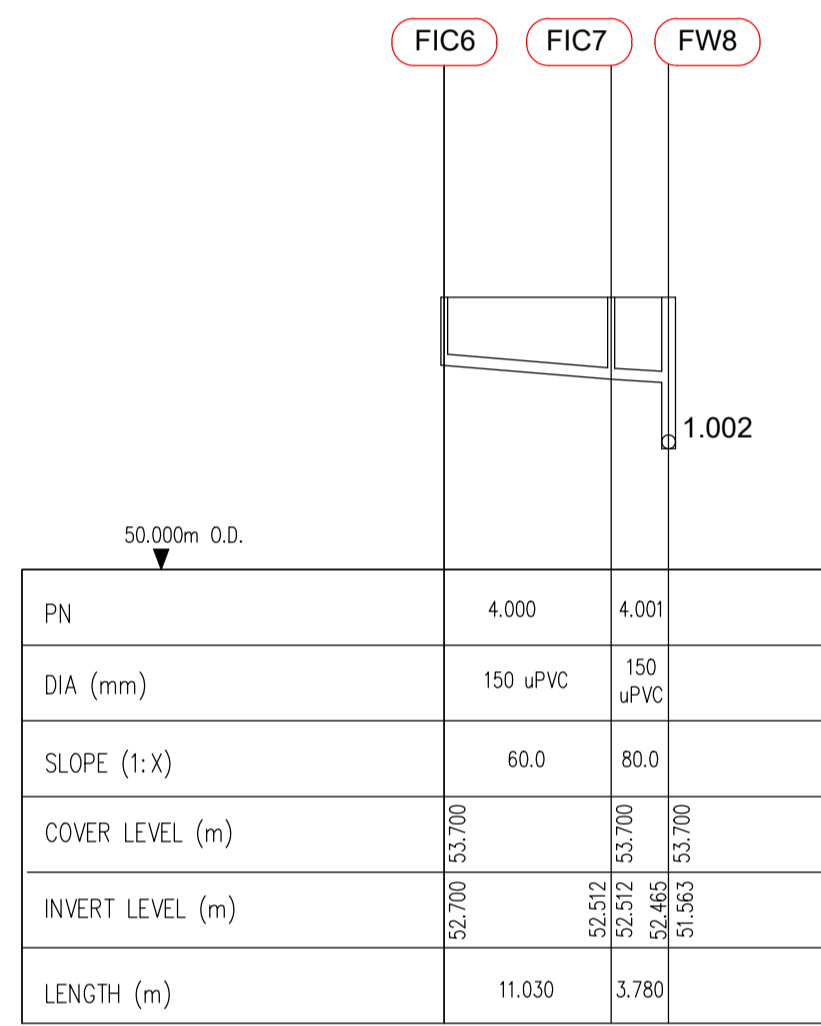
FOUL WATER SEWER FROM MANHOLES FIC1 TO FW12 (Over Existing Sewer)
HORIZONTAL SCALE 1:500
VERTICAL SCALE 1:100



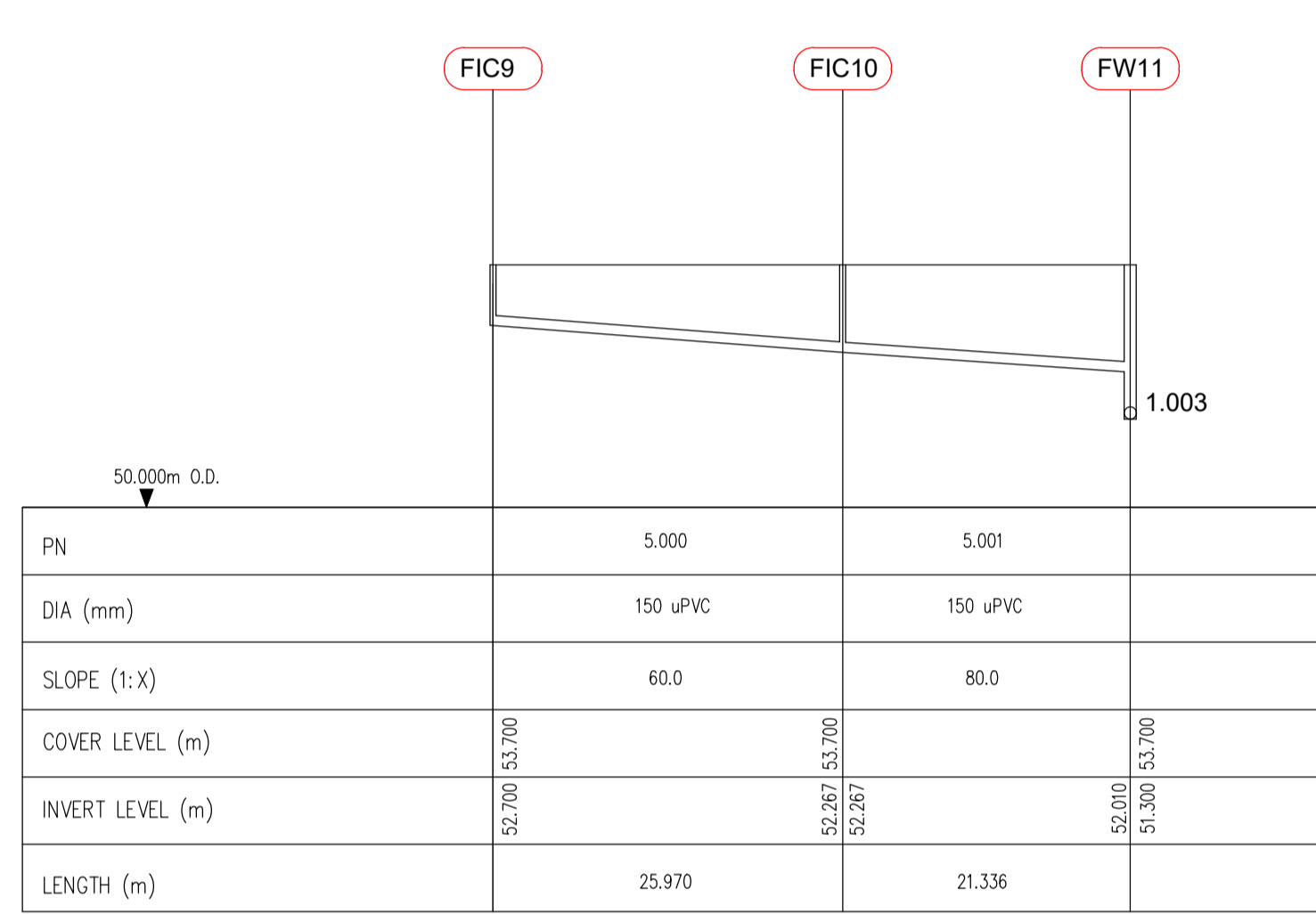
FOUL WATER SEWER FROM MANHOLES FIC2 TO FW3
HORIZONTAL SCALE 1:500
VERTICAL SCALE 1:100



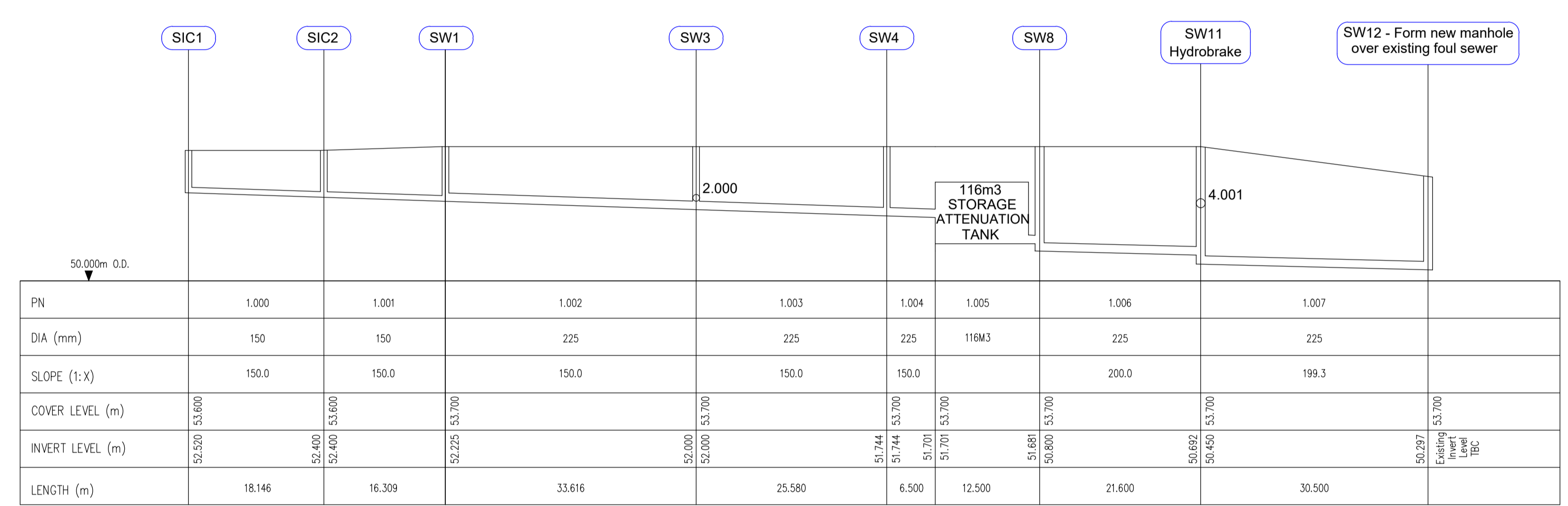
FOUL WATER SEWER FROM MANHOLES FIC4 TO FW5
HORIZONTAL SCALE 1:500
VERTICAL SCALE 1:100



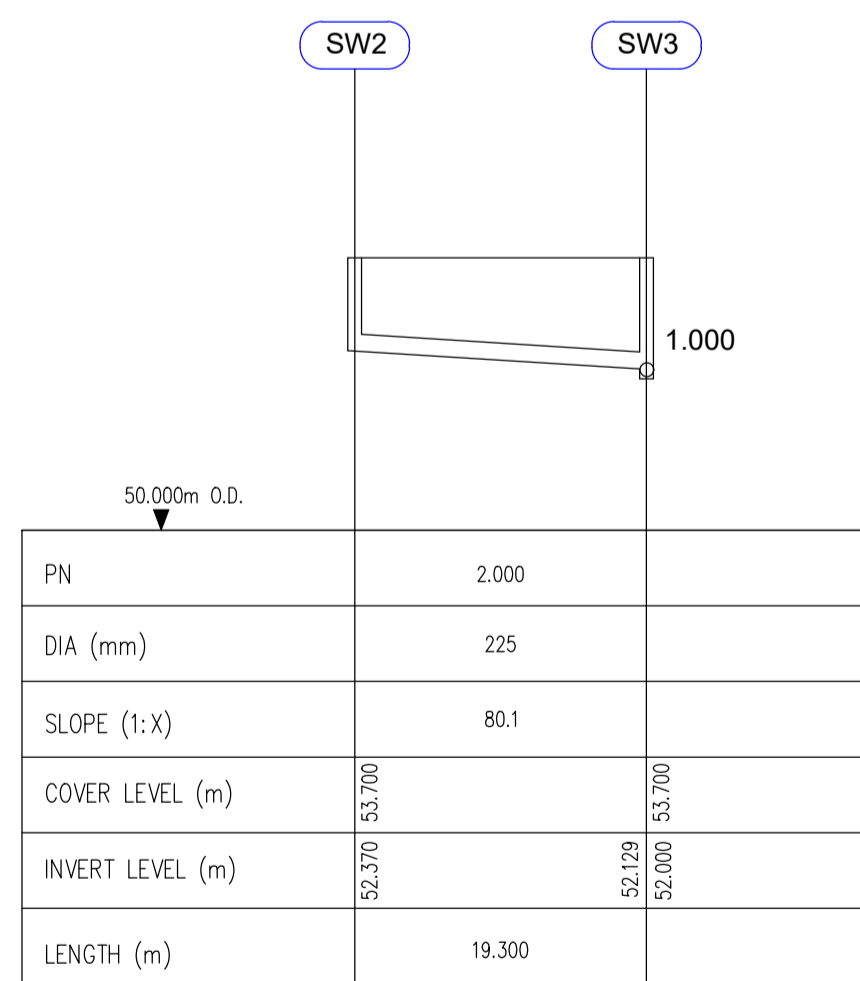
FOUL WATER SEWER FROM MANHOLES FIC6 TO FW8
HORIZONTAL SCALE 1:500
VERTICAL SCALE 1:100



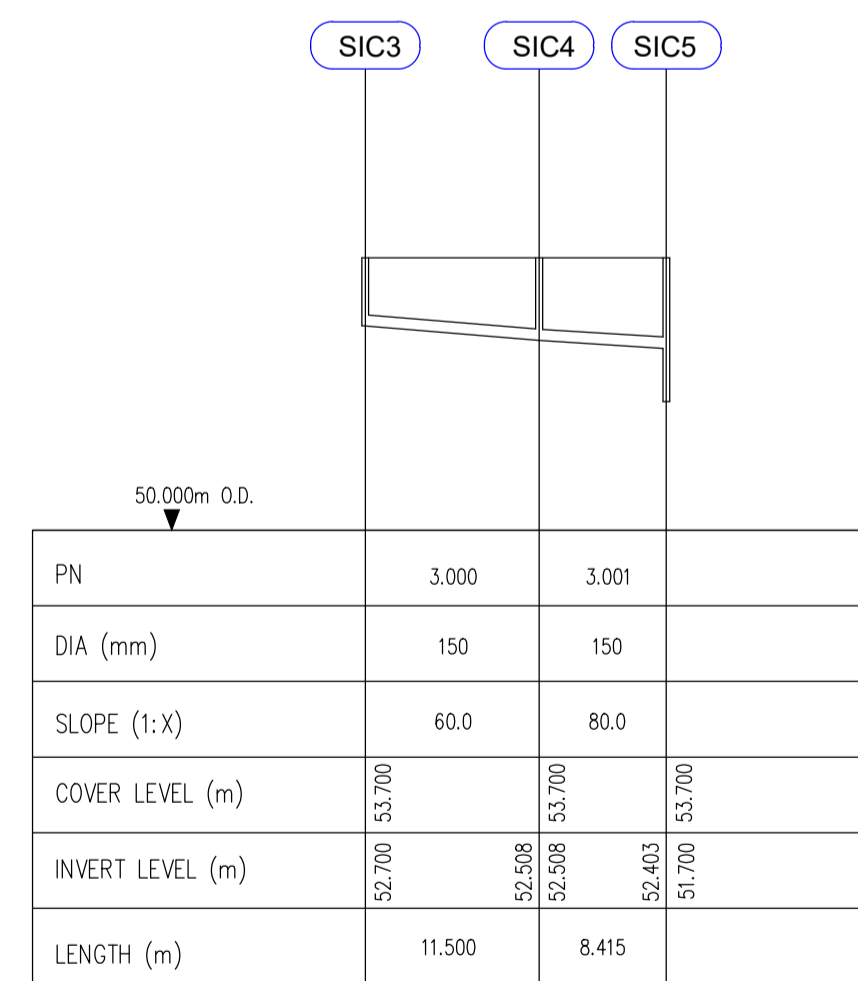
FOUL WATER SEWER FROM MANHOLES FIC9 TO FW11
HORIZONTAL SCALE 1:500
VERTICAL SCALE 1:100



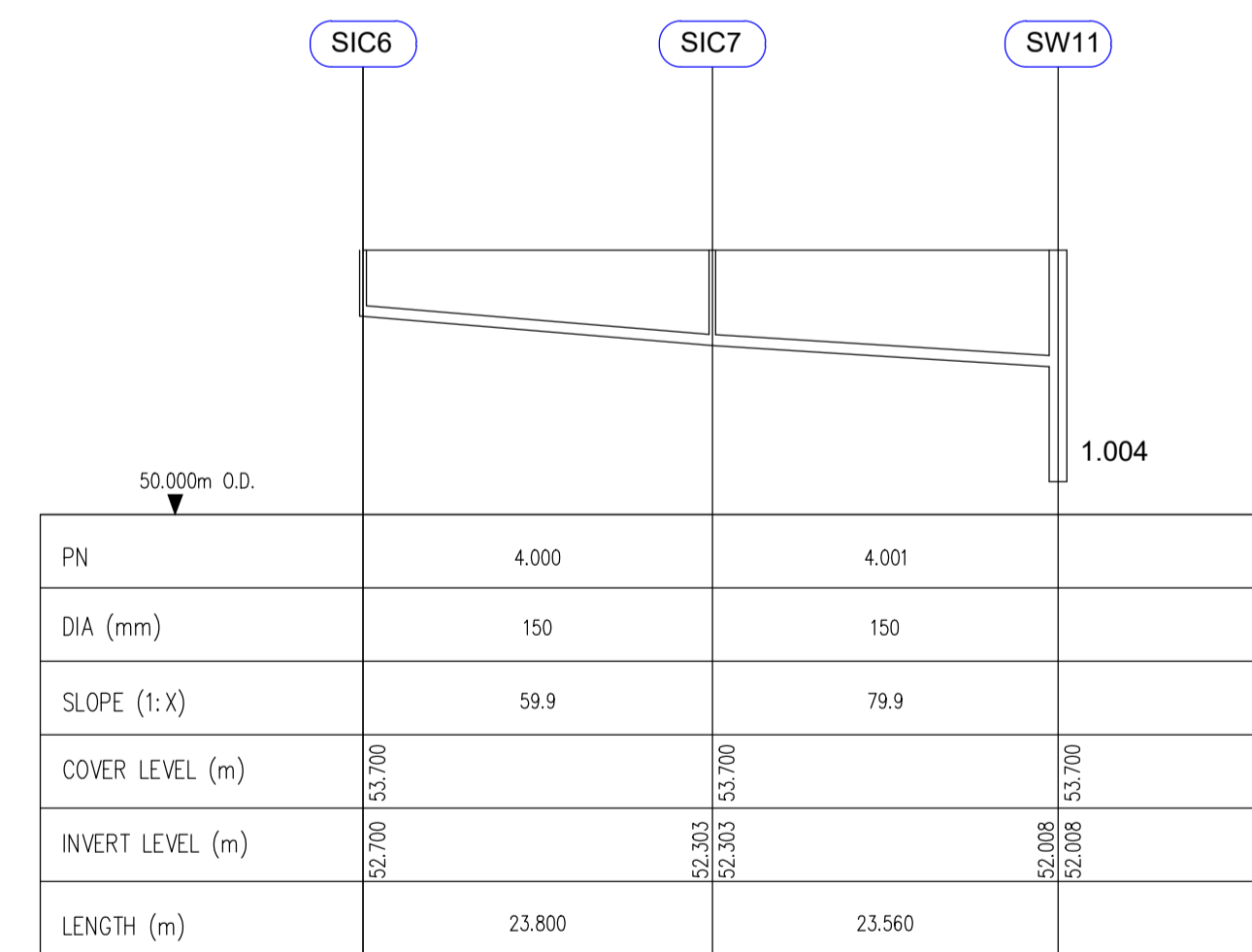
STORM WATER SEWER FROM MANHOLES SW1 TO SW12 (Over Existing Storm Sewer)
HORIZONTAL SCALE 1:500
VERTICAL SCALE 1:100



STORM WATER SEWER FROM MANHOLES SW2 TO SW3
HORIZONTAL SCALE 1:500
VERTICAL SCALE 1:100



STORM WATER SEWER FROM MANHOLES SIC3 TO SIC5
HORIZONTAL SCALE 1:500
VERTICAL SCALE 1:100



STORM WATER SEWER FROM MANHOLES SIC6 TO SW11
HORIZONTAL SCALE 1:500
VERTICAL SCALE 1:100

PLANNING DRAWING

Not for Construction
This drawing has been issued for information purposes only and must not be used for construction under any circumstances

NOTES

- For setting out refer to Architect's drawings.
- This drawing to be read in conjunction with all other Architectural and Engineering drawings and all other relevant drawings and Specifications.
- DO NOT SCALE THIS DRAWING. Use figured dimensions only.
- No part of this document may be reproduced or transmitted in any form or stored in any retrieval system of any nature without the written permission as copyright holder except as agreed for use on the project for which the document was originally issued.
- Ordnance Survey Ireland Licence Number EN 0074020

Rev. No.	Date	REVISION NOTE	Drn. By	Chkd. By
A	2019-05-08	General Revision	DF	GL
B	27-08-2019	Updated Information	DF	GL
C	2020-07-26	RE-ISSUED FOR PLANNING	DF	GL

Client	Bartra Property (Castleknock) Limited
Project	Brady's Public House Old Navan Road, Dublin 15, D15
Title	Foul And Storm Sewer Longitudinal Sections
Drn. By	DF
Chkd. by	DF
Agnd. by	GL
Scale	AS SHOWN @ A1
Rev. No.	B094-003
Revision	C

CS Consulting Group
DUBLIN | LONDON | LIMERICK

Head Office
19-22 Dame Street, Dublin 2.
T: +353 (0)1 5480863 F: +353 (0)1 9011355
e: info@csconsulting.ie
w: www.csconsulting.ie

Quality
Environment
Energy
Health & Safety

IS. EN ISO 9001:2008
IS. EN ISO 14001:2004
IS. EN ISO 50001:2011
OHSAS 18001:2007