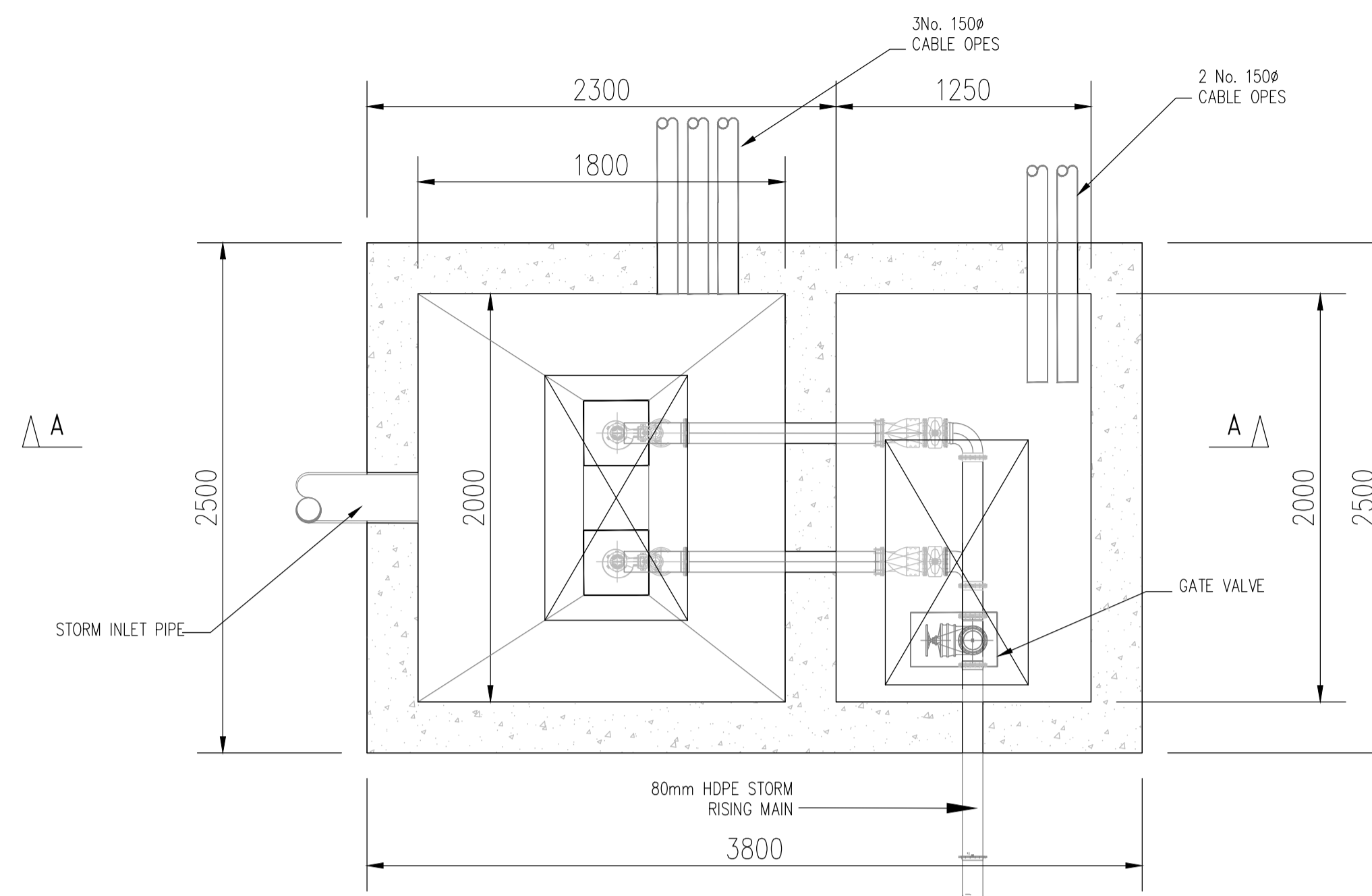
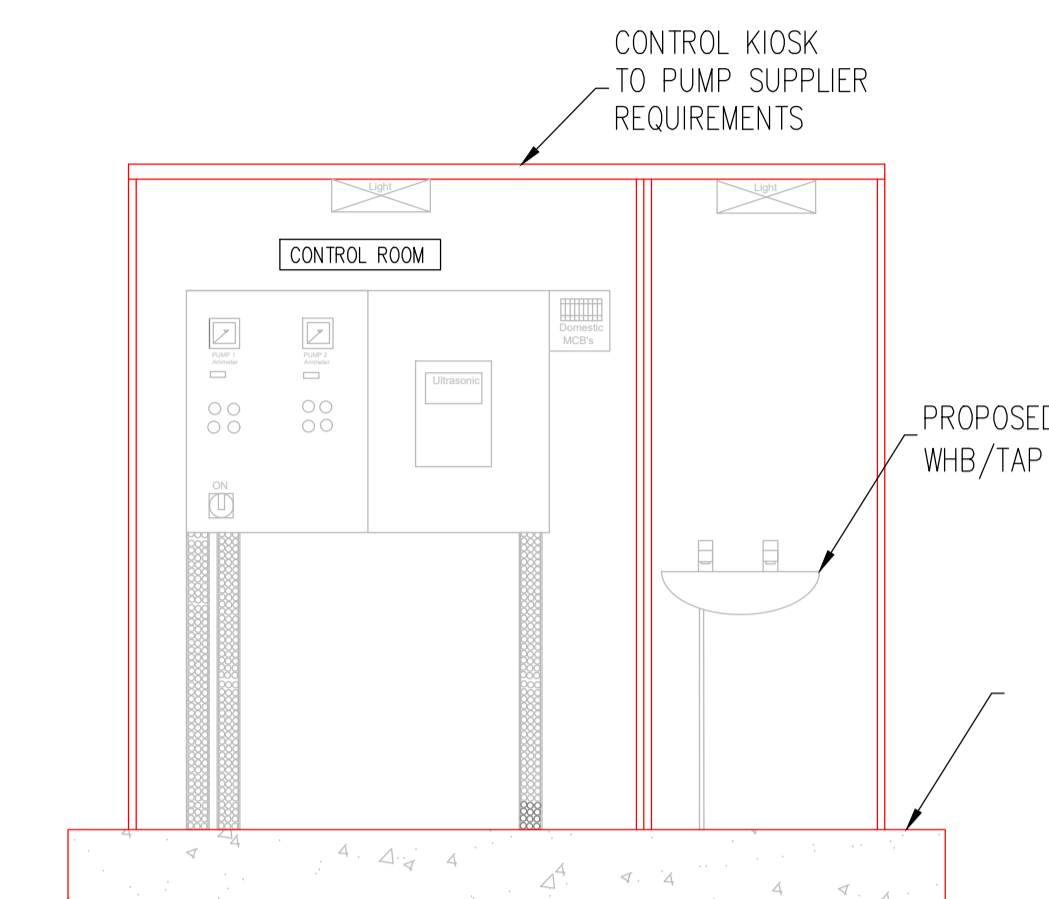


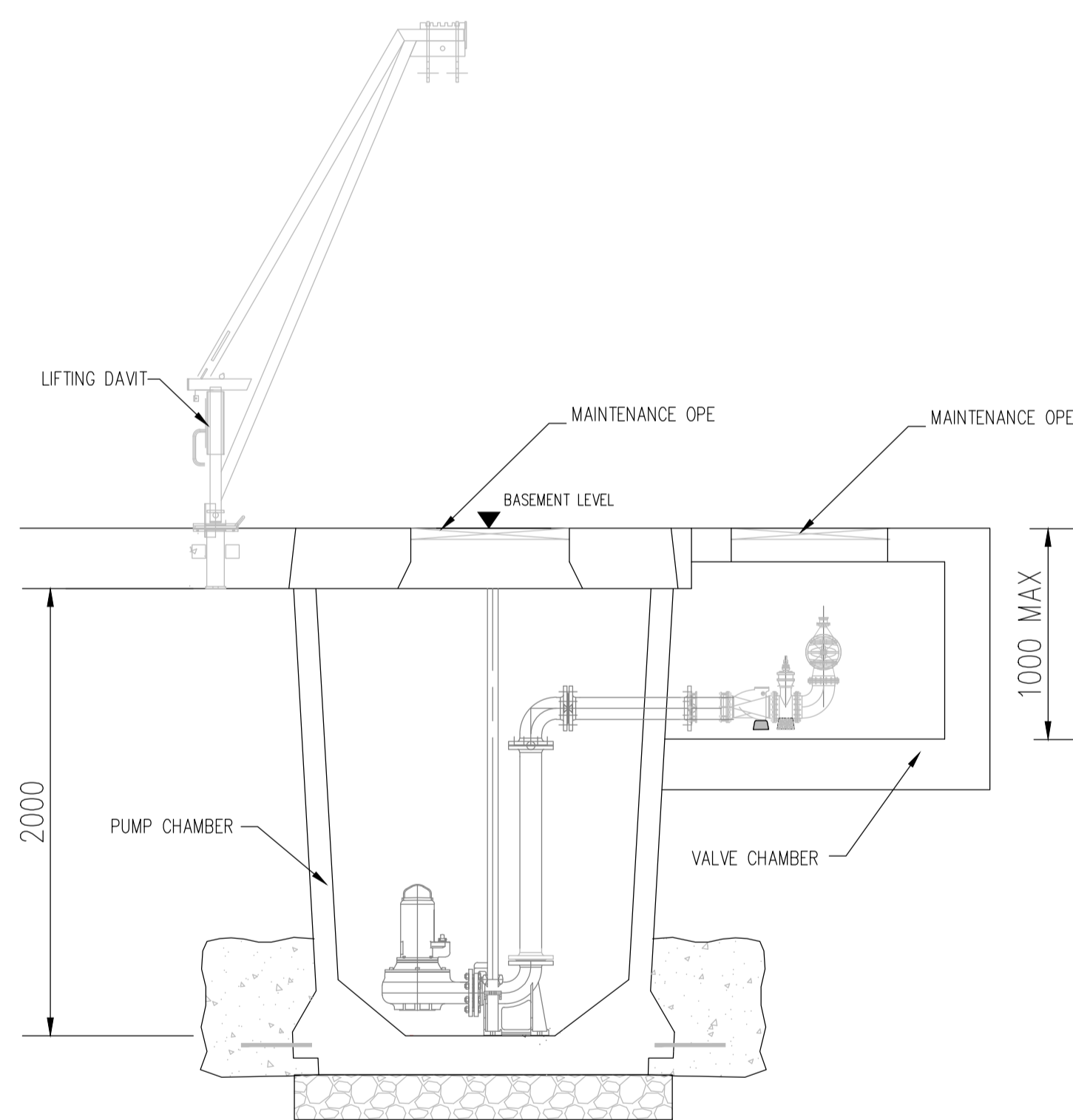
PLAN OF BASEMENT STORM ATTENUATION PUMP STATION 1
SCALE 1:25



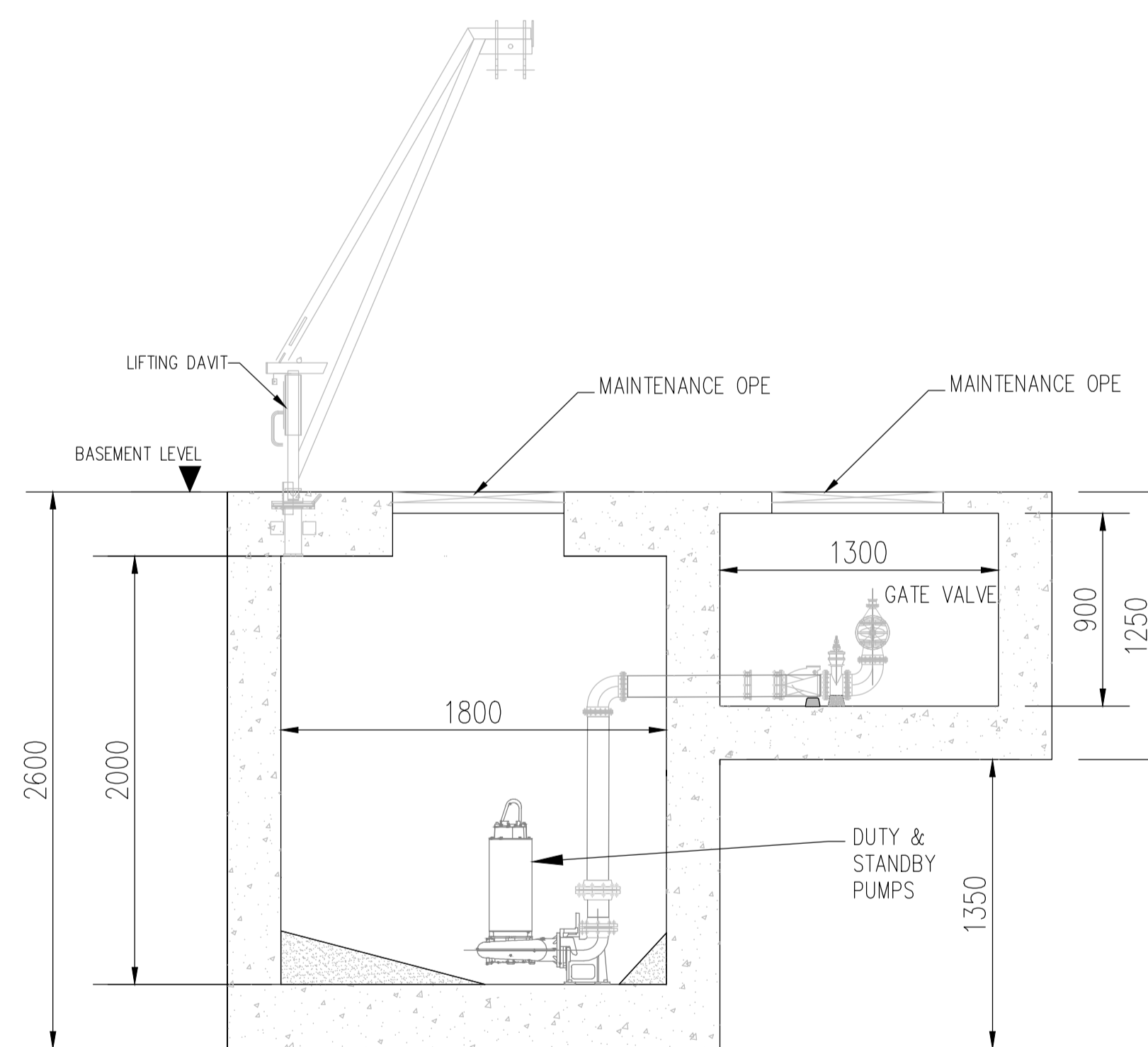
PLAN OF 5M³ BASEMENT STORM ATTENUATION PUMP STATION 2
SCALE 1:25



TYPICAL CONTROL KIOSK



BASEMENT STORM ATTENUATION PUMP STATION 1 -SECTION A-A
SCALE 1:25



BASEMENT STORM ATTENUATION PUMP STATION 2 -SECTION A-A
SCALE 1:25

NOTES:

1. ALL DIMENSIONS ARE IN MILLIMETRES UNLESS OTHERWISE NOTED.
2. PUMPS SHALL BE INSTALLED TO SUPPLIER'S REQUIREMENTS.
3. ALL DUCTILE IRON PIPE WORK AND FITTINGS TO BE IN ACCORDANCE WITH IS EN 598.
4. PRE-CAST CONCRETE CHAMBERS MAY BE USED SUBJECT TO APPROVAL FROM THE ENGINEER.
5. ALL GATE VALVES TO BE CLOCKWISE CLOSING.
6. WET WELL TO BE IN ACCORDANCE WITH BS EN 1992-3.
7. COVERS TO BE SIZED TO ALLOW ADEQUATE SPACE FOR PUMP REMOVAL. MINIMUM 1400x800mm.
8. CHAMBER COVERS WITH A CLEAR OPENING EXCEEDING 1000mm SHALL CONFORM TO BS 9124.
9. ALL CONCRETE TO BE IN ACCORDANCE WITH IS EN 206.
10. ALL INTERNAL VALVES AND FITTINGS TO BE TO SPECIALIST DESIGN AND SUBJECT TO APPROVAL BY ENGINEERS.

PUMP SPECIFICATION

1. DUTY & STANDBY PUMP ARRANGEMENT
2. EACH PUMP TO BE FITTED WITH MACERATOR
3. PUMPS SET TO DISCHARGE AT 2.5 l/s (TBC BY PUMP SUPPLIER)

Planning Drawing
Not for Construction
This drawing has been issued for information purposes only and must not be used for construction under any circumstances

Rev. No.	Date	REVISION NOTE	Drn. By	Chkd. By
A	2020-07-26	RE-ISSUED FOR PLANNING	DD	GL

Rev. No.	Date	REVISION NOTE	Drn. By	Chkd. By
A	2020-07-26	RE-ISSUED FOR PLANNING	DD	GL

Client	Bartra Property (Castleknock) Limited			
Project	Brady's Public House Old Navan Road, Dublin 15, D15			
Title	Basement Level Storm Attenuation Tanks			
Drn. by	Chkd. by	Apprd. by	Desig. No.	Revision
DF	GL	NB	B094-010	A
Date	Scale			
Oct 2018	1:25 @ A1			

CS Consulting Group	
DUBLIN LONDON LIMERICK	
Head Office 19-22 Dame Street, Dublin 2. T: +353 (0)1 5480863 F: +353 (0)1 9011355 e: info@csconsulting.ie w: www.csconsulting.ie	
Quality NSAI Certified	Environment I.S. EN ISO 14001:2004 Energy I.S. EN ISO 50001:2011 Health & Safety OHSAS 18001:2007